

2MP 26x Starlight Network PTZ Camera



Functions:

- 1/2.8" Progressive Scan 2MP CMOS
- 5-130mm, 26x Optical Zoom
- Starlight technology
- Auto-induction Wiper
- Positioning Accuracy: 0.05°
- IR distance up to 150 m
- IP66

Camera	
Image Sensor	1/2.8" Progressive Scan 2MP CMOS
Minimum Illumination	Color:0.001 Lux @ (F1.5,AGC ON); B/W:0.0005Lux @ (F1.5,AGC ON)
Shutter	1/25s to 1/100,000s; Supports delayed shutter
Aperture	DC drive
Day/Night Switch	ICR cut filter
Digital zoom	16x
Lens	
Focal Length	5-130mm, 26x Optical Zoom
Aperture Range	F1.5-F3.8
Field of View	H: 56.9-2.9°(wide-tele) V: 32.2-1.6°(wide-tele)
Minimum Working Distance	100mm-1000mm (wide-tele)
Zoom Speed	Approximately 3.5s (optical, wide-tele)
Compression Standard	
Video Compression	H.265 / H.264 / MJPEG
H.265 Type	Main Profile
H.264 Type	BaseLine Profile / Main Profile / High Profile
Video Bitrate	32 Kbps~16Mbps
Audio Compression	G.711a/G.711u/G.722.1/G.726/MP2L2/AAC/PCM
Audio Bitrate	64Kbps(G.711)/16Kbps(G.722.1)/16Kbps(G.726)/32-192Kbps(MP2L2)/16-64Kbps(AAC)
Image (Maximum Resolution: 1920*1080)	
Main Stream	50Hz: 25fps (1920 × 1080, 1280 × 960, 1280 × 720); 60Hz: 30fps(1920 × 1080, 1280 × 960, 1280 × 720)
Third Stream	50Hz: 25fps (704 x 576); 60Hz: 30fps (704 x 576)

Ultra Series | SD6A226H

Image Settings	Saturation, Brightness, Contrast and Sharpness can be adjusted via the client-side or browse
BLC	Support
Exposure Mode	AE / Aperture Priority / Shutter Priority / Manual Exposure
Focus Mode	Auto Focus / One Focus / Manual Focus / Semi-Auto Focus
Area Exposure / Focus	Support
Defog	Support
Image Stabilization	Support
Day/Night Switch	Automatic, manual, timing, alarm trigger
3D Noise Reduction	Support
Picture Overlay Switch	Support BMP 24-bit image overlay, customizable area
Region of Interest	Support three streams and four fixed areas
Network	
Storage Function	Support Micro SD / SDHC / SDXC card (256G) offline local storage, NAS (NFS, SMB / CIFS support)
Protocols	TCP/IP,ICMP,HTTP,HTTPS,FTP,DHCP,DNS,RTP,RTSP,RTCP,NTP,SMTP,SNMP,IPv6
Interface Protocol	ONVIF(PROFILE S,PROFILE G)
Smart Features	
Smart Detection	Cross-border detection, area intrusion detection, entering /leaving area detection, hovering detection, personnel gathering detection, fast motion detection, parking detection / take detection, scene change detection, audio detection, virtual focus detection, face detection
PTZ	
Pan Range	360° endless
Pan Speed	0.05°~300° /s
Tilt Range	-15°~90°
Tilt Speed	0.05°~200°/s
Number of Preset	255
Patrol	6 patrols, up to 18 presets per patrol
Pattern	4 , with the total recording time not less than 10 mins
Power loss recovery	Support
Infrared	
IR distance	Up to 150m
IR intensity	Automatically adjusted, depending on the zoom ratio
Port	
Audio I/O	1 input,1 output(optical)
Alarm I/O	1 input,1 output(optical)

Ultra Series | SD6A226H

General	
Power	AC 24V, 50W(Max)
Working temperature	-40°C -60°C
Humidity	90% or less
Protection level	Ip66, TVS 4000V Lightning protection, surge protection
Mount option	Wall Mounting, Ceiling Mounting
Weight	6.5kg

Accessories

Included:



Wall Mount Bracket



AC24V/2.2A Power Adapter

Optional:

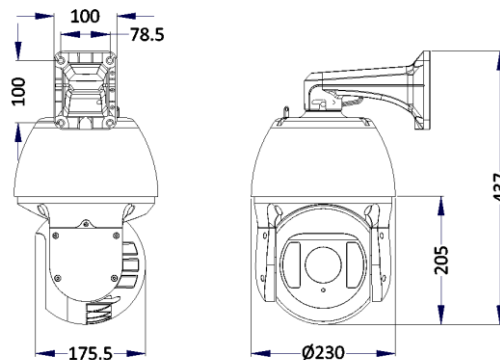


Ceiling Mounting Bracket



Mount Adapter

Dimensions



This datasheet is subject to change without prior notice. Please contact us to get the latest datasheet.